

**YAKIMA<sup>®</sup>**

---

**SKI &  
SNOWBOARD  
MOUNTS**



PHOTO BY SHERRI HARKIN, COURTESY OF WINTER PARK RESORT.

WHY  
GET A  
YAKIMA?

- ▶ Your friends and family will fit in your car more comfortably.
- ▶ It'll keep your skis or snowboards from rattling around and getting scratched.
- ▶ Skis you've placed down the center of your car won't change the radio station when you hit a bump, or fly through the front window if you hit the brakes.
- ▶ You'll get to be the one who drives everyone to the mountain, which means you get to choose which mountain you hit. (At least that's how we see it.)

**WE'VE GOT A LONG HISTORY OF MAKING INNOVATIONS IN THE SNOW CATEGORY. IN FACT, IF THEY GAVE OUT NOBEL PRIZES FOR RACK DESIGN, WE'D PROBABLY BE BOOKING TICKETS TO STOCKHOLM RIGHT NOW. WE HEAR THEY'VE GOT DECENT POWDER OVER THERE.**



Slim aero blades on the FATCAT™ not only look sharp, but they slice through the wind like a Chinese throwing star.



All mounts fit round, square and most factory crossbars right out of the box.



Ergonomic features like large buttons means you can keep your gloves on to operate. Say goodbye to popsicle fingers.

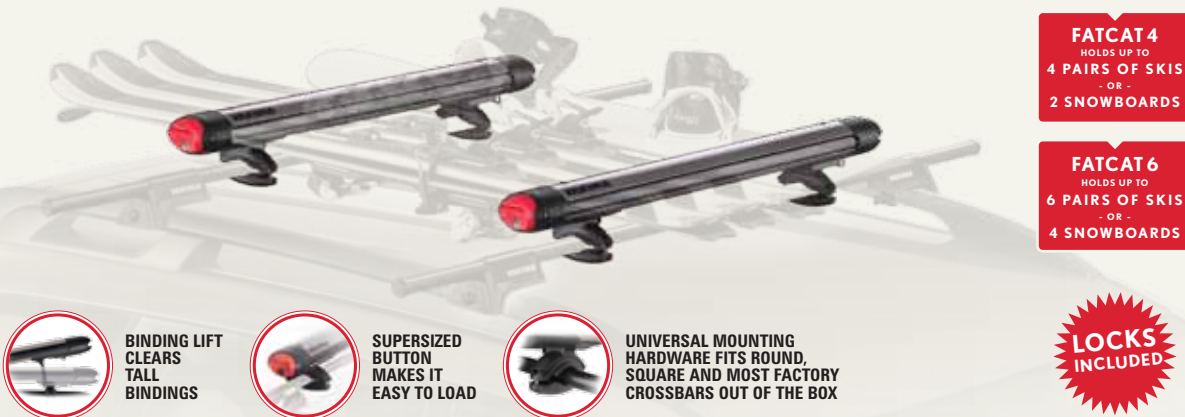


Our top-of-car mounts feature integrated binding lifts, perfect for curved roofs or ginormous bindings.

## SKI &amp; SNOWBOARD MOUNTS


**ALL TOP-OF-CAR YAKIMA SKI AND BOARD MOUNTS HAVE THESE FEATURES:**

Universal mounting hardware for round, square and factory crossbars  
Stainless steel and brass hardware • Locks included standard • One-button operation makes them easy to use, even when wearing gloves



**BINDING LIFT  
CLEARS  
TALL  
BINDINGS**



**SUPERSIZED  
BUTTON  
MAKES IT  
EASY TO LOAD**



**UNIVERSAL MOUNTING  
HARDWARE FITS ROUND,  
SQUARE AND MOST FACTORY  
CROSSBARS OUT OF THE BOX**



**FATCAT 4**  
HOLDS UP TO  
**4 PAIRS OF SKIS**  
- OR -  
**2 SNOWBOARDS**

**FATCAT 6**  
HOLDS UP TO  
**6 PAIRS OF SKIS**  
- OR -  
**4 SNOWBOARDS**

 **FATCAT™ 4 & 6**

03077

03078

This is the ultimate in ski and board transport. It accommodates several sets of even the fattest skis and boards. Plus, it's easy to operate without taking your gloves off—thereby preventing career-ending cases of popsicle finger for concert pianists everywhere.

- ▶ Ergonomic one-button operation makes them easy to use without taking your gloves off
- ▶ Proprietary hinge system and aerodynamic nesting arms keep it compact and low profile
- ▶ Integrated binding lift for extra 3" clearance between gear and roof
- ▶ Universal mounting hardware fits round, square and most factory crossbars right out of the box
- ▶ FATCAT 4 holds up to 4 pairs of skis or 2 snowboards
- ▶ FATCAT 6 holds up to 6 pairs of skis or 2 snowboards



**POWDERHOUND**  
HOLDS UP TO  
**4 PAIRS OF SKIS**  
- OR -  
**2 SNOWBOARDS**

**BIG POWDERHOUND**  
HOLDS UP TO  
**6 PAIRS OF SKIS**  
- OR -  
**4 SNOWBOARDS**


 **POWDERHOUND™** **BIG POWDERHOUND™**

03081

03082

If you're pinching pennies, you might have to pinch yourself over your ability to afford these redesigned classics. They're easy to use, versatile enough to carry "shaped" skis and boards and they look totally cherry on your car.

- ▶ One-button access means you can load/unload while wearing gloves
- ▶ Universal mounting hardware fits round, square and most factory crossbars right out of the box
- ▶ SKS LOCKS included
- ▶ POWDERHOUND holds up to 4 pairs of skis or 2 snowboards
- ▶ BIG POWDERHOUND/FATCAT 6 holds up to 6 pairs of skis or 2 snowboards



**HITCHSKI**  
HOLDS UP TO  
**6 PAIRS OF SKIS**  
- OR -  
**4 SNOWBOARDS**

### ◀ HITCHSKI™

02418

While your bikes are hibernating for the winter, you can convert your mast-style hitch bike carrier (P.26-28) into a ski- and board-hauling machine. The HITCHSKI is simple to install and use, and the adjustable technology is compatible with even the thickest boards and skis.

- Carries up to 6 pairs of skis or 4 snowboards
- 2-position upper arms, adjustable lower arm
- Soft, flexible rubber padding protects gear
- Fits most Yakima mast-style bike hitch racks (EXCEPT DOUBLEDOWN 2, SPAREJOE and SPARETIME)
- SKS LOCK CORES included
- Get a DEADLOCK (P. 33) and secure the entire rig to your car

## YAKIMA® CARGO BOXES FOR SNOW SPORTS

Cargo boxes are great for winter sports because they keep snow, ice and road salt off your skis and boards. Plus, you get lots of extra room for boots, poles, luggage and large tikis designed to appease the snow gods. Here are a few boxes that are just the right dimensions for winter sport fanatics.



▲ SKYBOX™ 12

SEE P. 51



▲ SKYBOX LOPRO™

SEE P. 49



▲ ROCKETBOX™ 11

SEE P. 52



▲ ROCKETBOX™ 16

SEE P. 52